



*CB 640*

# LIST OF THE EXPLODED VIEWS



*SHELL ASSY CB 640A / CB 640W*

*SHELL ASSY CB 640A DP*

*COOLING SYSTEM*

*HYDRAULIC CIRCUIT CB 640A / CB 640W*

*HYDRAULIC CIRCUIT CB 640A DP*

*ELECTRIC PARTS*

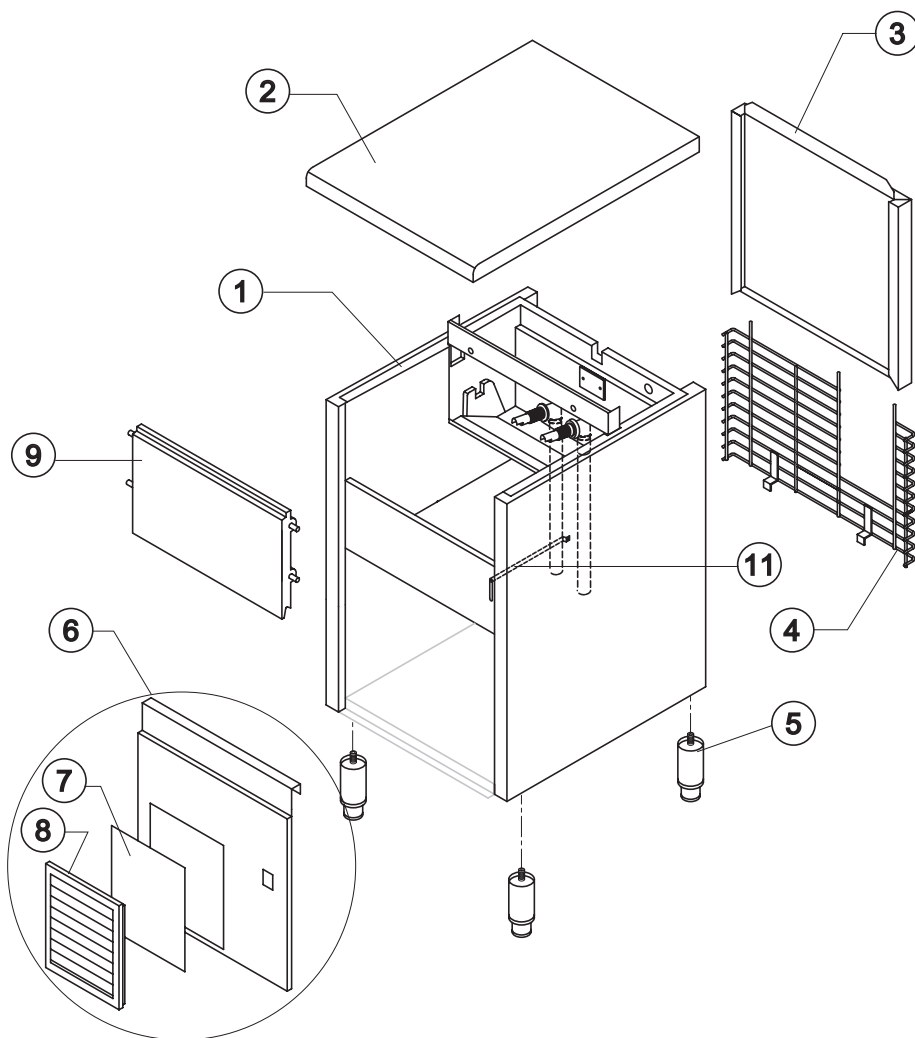
Rev. 16 - 12/03/2019



# CB 640

# SHELL ASSY

## CB 640A / CB 640W



Ref.	Spare Description	Code
1	Foamed Cabinet Assy	See Table
2	Top Assembly	C22673
3	Rear Panel Assembly	C21184
4	Rear Grid	D12015
5	Adjustable Stainless Steel Foot	20613
6	Front Grid Panel	C22509
7*	Filtering Panel	18106
8	Frame + Grid & Filter	C10205
9	Door Assy	C10275
11	Bulb-holder Pipe	20521

### Ref. 1 - Foamed Cabinet Assy

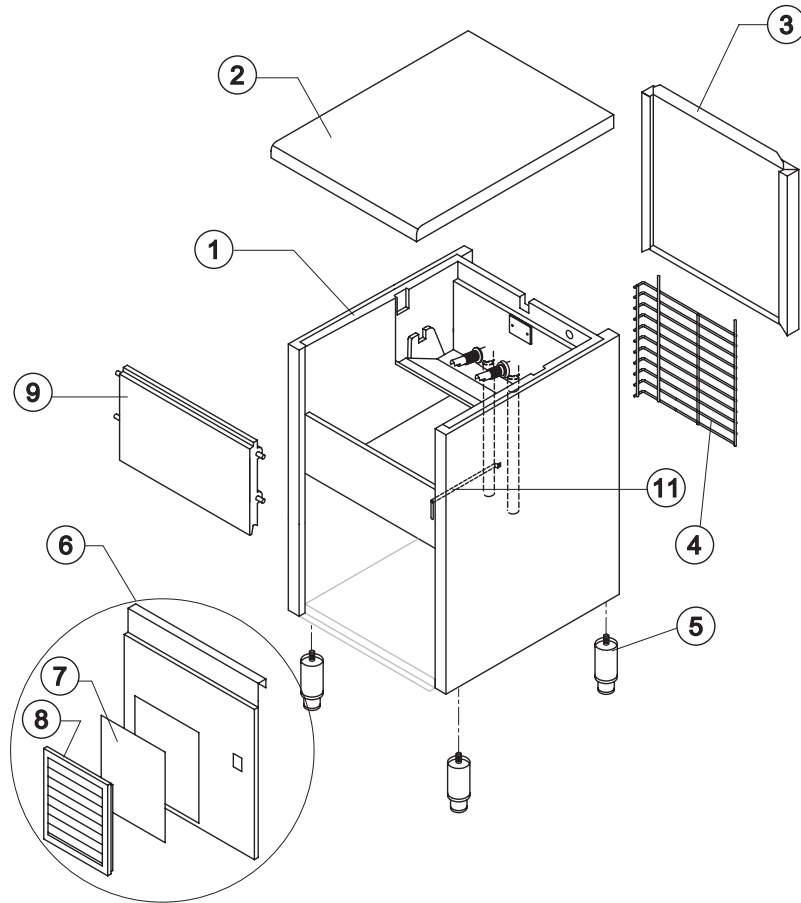
Condensation	Code
Air	RC11009A
Water	RC11009W

Rev. 16 - 12/03/2019



# CB 640

## SHELL ASSY CB 640A / CB 640W



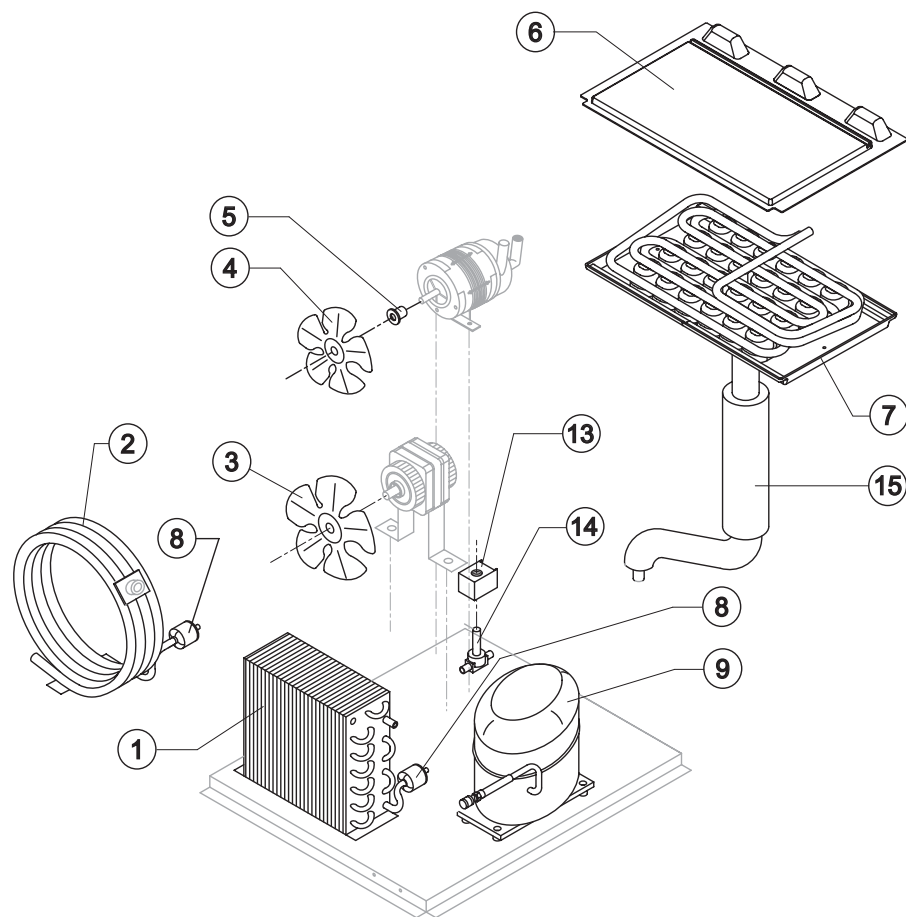
Ref.	Spare Description	Code
1	Foamed Cabinet Assy	C11009DP
2	Top Assembly	C22673
3	Rear Panel Assembly	C21184
4	Rear Grid	D12102
5	Adjustable Stainless Steel Foot	20613
6	Front Grid Panel	C22509
7*	Filtering Panel	18106
8	Frame + Grid & Filter	C10205
9	Door Assy	C10275
11	Bulb-holder Pipe	20521



# CB 640

# COOLING SYSTEM

## CB 640A / CB 640W / CB 640A DP



### Common Parts

Ref.	Spare Description	Code
4	Sucking Fan	10213
5	Fan Fixing Hub	10014
6	Evaporator Cover Panel	10448
7	Evaporator	See Table
8*	Solid Core Drier	14089
9	Compressor	See Table
13*	Hot Gas Valve Coil	See Table
14*	Hot Gas Valve Body	20410
15	Suctin Line	for the spare parts code give us the s/n.

### Parts for Air Cooled Version Only

Ref.	Spare Description	Code
1	Air Condenser	Current Version 20558
1	Air Condenser	Till s/n. 348341 20175
3	Sucking Fan	20031

### Parts for Water Cooled Version Only

Ref.	Spare Description	Code
2	Water Condenser	14374

### Ref. 7 - Evaporator

Kind of Cube	Code
18 g. (Standard)	D10047
33 g.	D10090
13 g.	D10418
42 g.	D10480

### Ref. 9 - Compressor

Voltage	Code
220-240V ~ 50Hz	231202
220-230V ~ 60Hz	231308
110-115V ~ 60Hz	231211

### Ref. 13\* - Hot Gas Valve Coil

Voltage	Code
220-240V ~ 50Hz	231294
220-230V ~ 60Hz	231294
110-115V ~ 60Hz	23256

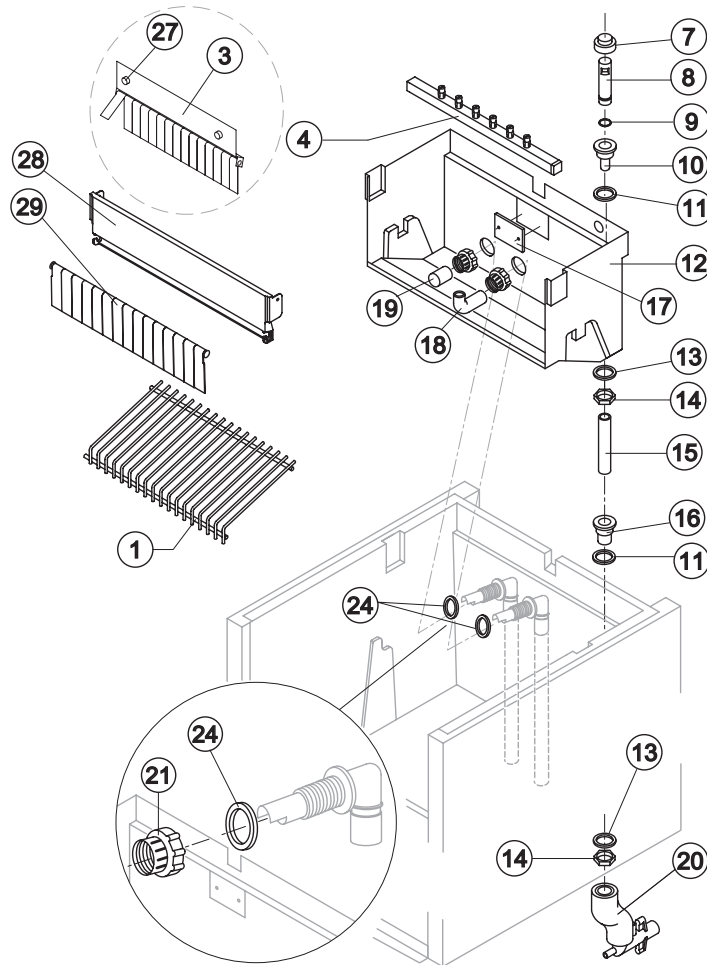
Rev. 16 - 12/03/2019



# CB 640

# HYDRAULIC CIRCUIT

## CB 640A / CB 640W



### Common Parts

Ref.	Spare Description	Code
1	Ice Cubes Slide	See Table
3	Flags Support Assy	Till s/n. 815637 C22059
4*	Sprayers Bar Assembly	See Table
7*	Overflow Cap	10305
8*	Overflow Pipe	10133
9*	OR Gasket for Overflow Pipe	20233
10	Overflow Pipe Nipple	10471
11	Gasket	13219
12	Inner Basin	10034
13	Semirigid Polyethylene Gasket	13007
14	Bin Discharge Nut	10096
15*	Overflow Pipe	13109
16	Water Outlet Nipple	10472
17	Slide Keep Plate	Till s/n. 227891 10009
18	Sprayers Feeding Pipe	13005
19*	Pump Suction Filter	20005
21	Fittings Locking Ring	10405
24	Gasket for Pump Suction/Delivery Pipes	13220
27	Fixing Screw	Till s/n. 815637 20009
28	Flags ABS Support	Current Version 10760
29	Rod with Flags	Current Version 10775

### Parts for Air Cooled Version Only

Ref.	Spare Description	Code
20	Discharges Manifold	C10006

### Parts for Water Cooled Version Only

Ref.	Spare Description	Code
20	Discharges Manifold	C26452

### Ref. 1 - Ice Cube Slide

Kind of Cube	Code
18 g. (Standard)	D12017
33 g.	D12031
13 g.	D12039
42 g.	D12071

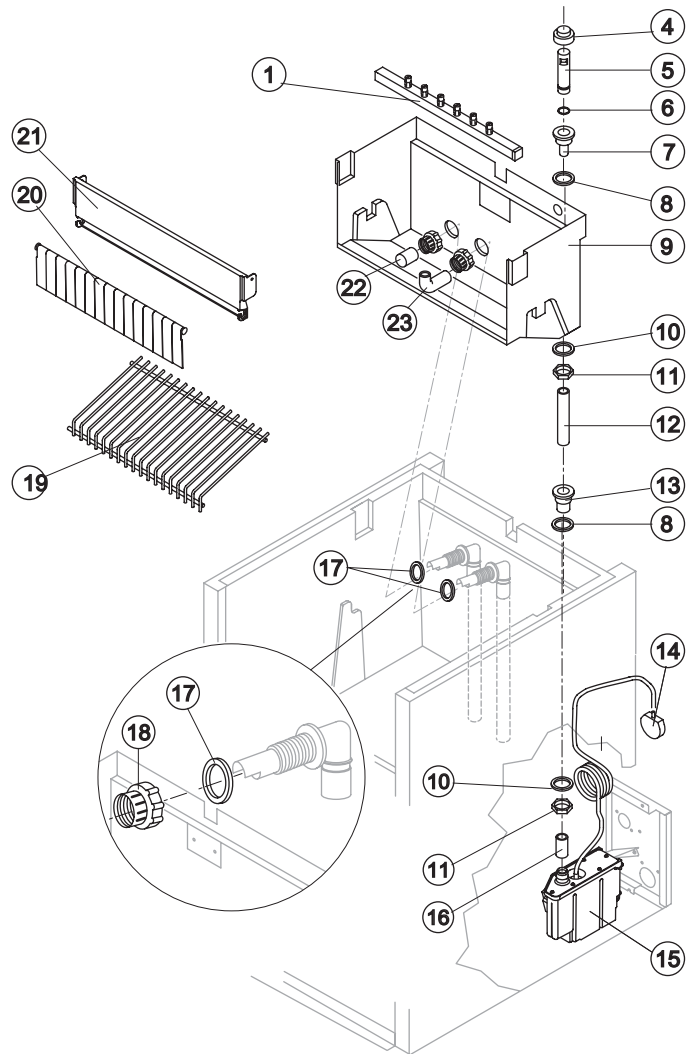
### Ref. 4\* - Sprayers Bar Ass.

Kind of Cube	Code
18 g. (Standard)	C20058
33 g.	C20156
13 g.	C20190
42 g.	C20802



# CB 640

# HYDRAULIC CIRCUIT CB 640A DP



### Common Parts

Ref.	Spare Description	Code
1*	Sprayers Bar Assembly	See Table
4*	Overflow Cap	10305
5*	Overflow Pipe	10133
6*	OR Gasket for Overflow Pipe	20233
7	Overflow Pipe Nipple	10471
8	Gasket	13219
9	Inner Basin	10034
10	Semirigid Polyethylene Gasket	13007
11	Bin Discharge Nut	10096
12*	Overflow Pipe	13109
13	Water Outlet Nipple	10472
14	Drain Pump Pressure Switch	C231230
15	Drain Pump	RC231225
16	Bin Discharge-Drain Pump Connection	C13175190
17	Gasket for Pump Suction/Delivery Pipes	13220
18	Fittings Locking Ring	10405
19	Ice Cubes Slide	See Table
20	Rod with Flags	10775
21	Flags ABS Support	10760
22*	Pump Suction Filter	20005
23	Sprayers Feeding Pipe	13005

### Ref. 1\* - Sprayers Bar Ass.

Kind of Cube	Code
18 g. (Standard)	C20058
13 g.	C20190

### Ref. 19 - Ice Cube Slide

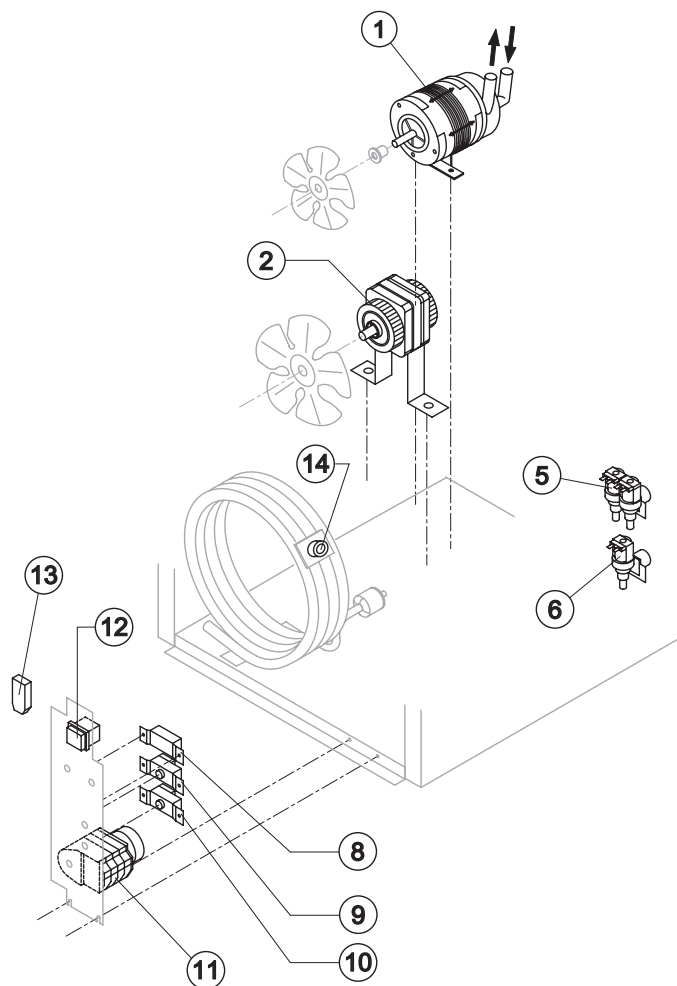
Kind of Cube	Code
18 g. (Standard)	D12017
13 g.	D12039



# CB 640

# ELECTRIC PARTS

## CB 640A / CB 640W / CB 640A DP



### Common Parts

Ref.	Spare Description	Code
1*	Pump Assy	See Table
8*	Condenser Pressure Switch	23175
9*	Bin Thermostat	R23005
10*	Evaporator Thermostat	R23591
11*	Timer	See Table
12*	Green Light Switch (On-Off)	23327

### Parts for Air Cooled Version Only

Ref.	Spare Description	Code
2*	Fan Motor	See Table
6*	1 Way- Water Inlet Valve	See Table
13	Anti Radio Interference Filter	Only 220V/50-60Hz C23459

### Parts for Water Cooled Version Only

Ref.	Spare Description	Code
5*	2 Ways- Water Inlet Valve	See Table
13	Anti Radio Interference Filter	Only 220V/50-60Hz C23457
14*	Safety Thermostat	C23114

### Ref. 1\* - Pump Assy

Voltage	Code
220-240V ~ 50Hz	RC23377
220-230V ~ 60Hz	RC23377
110-115V ~ 60Hz	RC23663

### Ref. 2\* - Fan motor

Voltage	Code
220-240V ~ 50Hz	23067
220-230V ~ 60Hz	23681
110-115V ~ 60Hz	23621

### Ref. 5\* - 2 Ways- Water inlet valve

Voltage	Cube 18g/13g	Cube 33g	Cube 42g
220-240V ~ 50Hz	23010	23010	23781
220-230V ~ 60Hz	23010	23781	23781
110-115V ~ 60Hz	23261	23261	23758

### Ref. 6\* - 1 Way - Water Inlet valve

Voltage	Cube 18g/13g	Cube 33g	Cube 42g
220-240V ~ 50Hz	23001	23001	23220
220-230V ~ 60Hz	23001	23220	23220
110-115V ~ 60Hz	23410	23260	23281

### Ref. 11\* - Timer

Voltage	Cube 18g	Cube 33g	Cube 13g	Cube 42g
220-240V ~ 50Hz	23222	23248	23247	23780
220-230V ~ 60Hz	231078	231080	231077	231080
110-115V ~ 60Hz	23833	23259	23258	23786

Rev. 16 - 12/03/2019